

DHI-VTO4202F-P-S2

2Mp Modular Apartment Door Station



- Anodized aluminum front panel
- CMOS low illumination 2MP HD colorful 160° fisheye camera
- Video intercom function
- Access control function that supports two locks
- Mobile phone app, talk to the visitor or unlock the door remotely on your phone
- Compatibility 2-wire Interface & RJ45 Interface
- IK07&IP65
- Support H.265
- Support surface and flush mount
- Modules make the device with great expansibility



Technical Specification

System

Main Processor	Embedded processor
Operating System	Embedded Linux Operation System
Button Type	Mechanical
Interoperability	ONVIF; CGI
Network Protocol	SIP; P2P; IPv4; UPnP; SNMP; DNS; DDNS; RTSP; RTP; TCP; UDP

Basic

Camera	1/2.5" 2MP CMOS Low Illumination HD Colorful Fisheye Camera
Field of View	Horizontal: 168.6°; vertical: 87.1; diagonal:176.7°
Focal Length	1.9 mm
WDR	120 dB
Noise Reduction	3D NR
Video Compression	H.265
Video Resolution	50Hz: Main Stream (720P@25 fps), sub stream (1080P@25 fps) 60Hz: Main Stream (720P@30 fps), sub stream (1080P@30 fps)
Video Frame Rate	25 fps
Video Bit Rate	256 Kbps to 4 Mbps
Light Compensation	Auto IR

Day/Night	Auto (ICR)
Audio Compression	G.711a; G.711u; PCM
Audio Input	1 channel
Audio Output	Built-in speaker
Audio Mode	2-way voice communication
Audio Enhancement	Echo suppression/digital noise reduction
Audio Bit Rate	16 KHz, 16 Bit
Status Indicator Light	3

Port

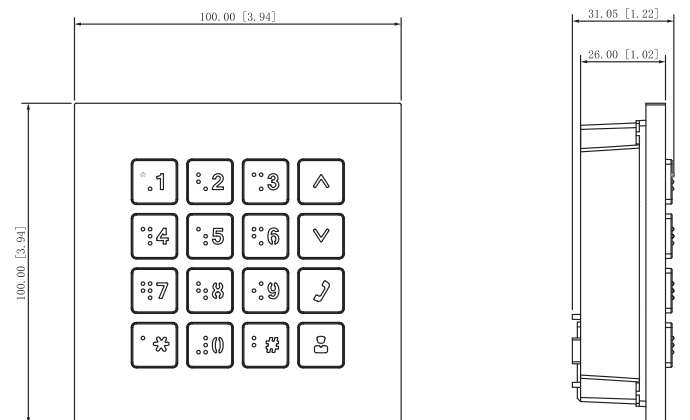
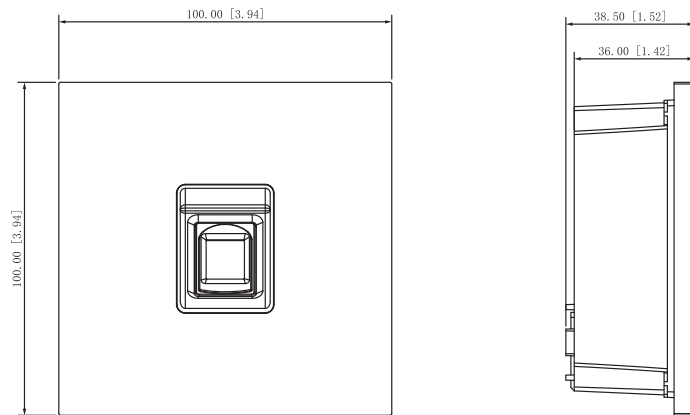
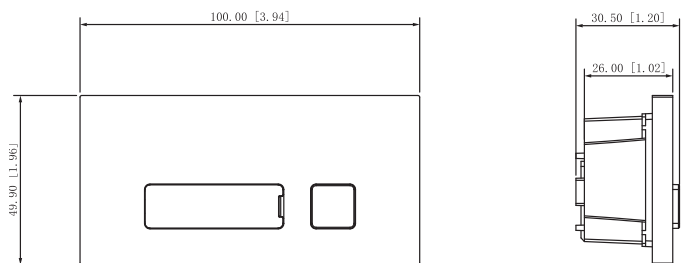
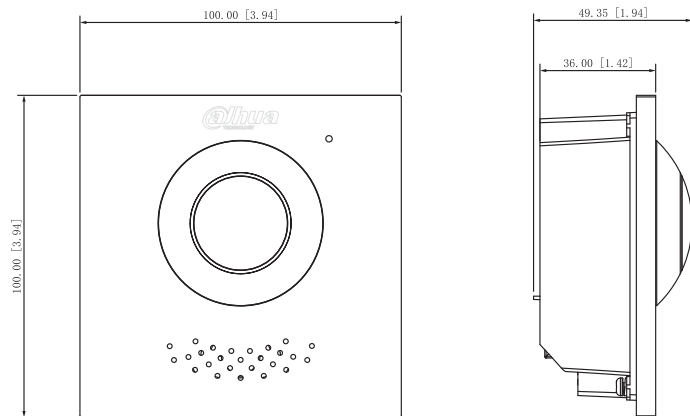
RS-485 Port	1
Alarm Output	1
Power Output	1-ch 12 VDC 100mA
Exit Button	1
Door Status Detection	1
Lock Control	1
Network Port	One RJ45 10M/100M network port

General

Appearance color	Silver
Power Supply	Dahua 2-wire switch (max. power supply distance 50 m) DC 48V 1A Standard PoE

Power Adapter	Optional
Installation	Flush/surface mount
Certifications	CE; FCC; UL
Accessory	Flush/surface mount
Product Dimensions	100 mm × 100 mm × 36 mm (3.94" × 3.94" × 1.41")
Protection	IK07; IP65
Operating Temperature	-30°C to +60°C (-22°F to 140°F)
Operating Humidity	10%–90% (RH, non-condensing)
Operating Altitude	0 m–3000 m
Power Consumption	≤ 12W
Net Weight	0.35 kg (0.77 lb)
Gross Weight	0.4 kg (0.88 lb)

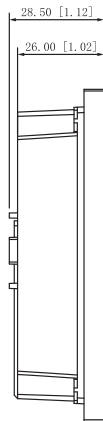
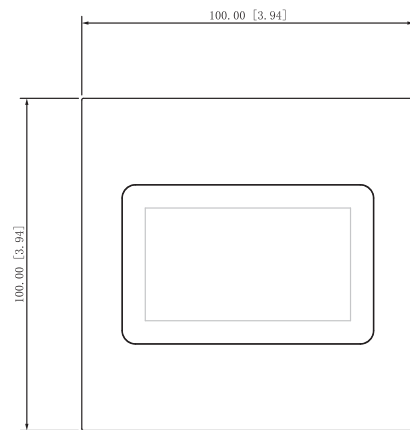
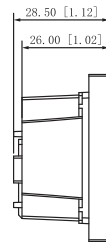
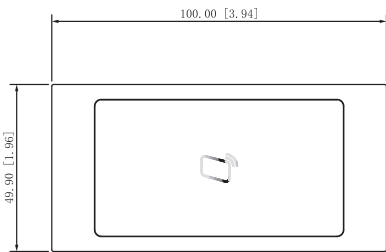
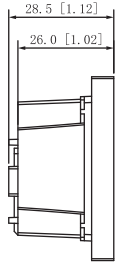
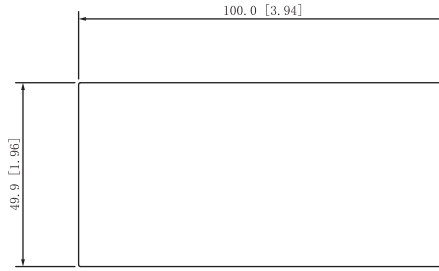
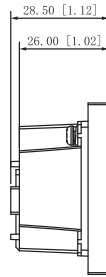
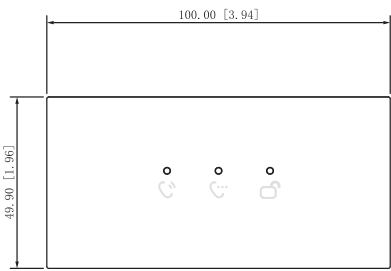
Dimensions (mm[inch])



Ordering Information

Type	Model	Description
Modules	DHI-VTO4202F-P-S2	Camera module
	DHI-VTO4202F-MB1	One-button module
	DHI-VTO4202F-MB2	Two-button module
	DHI-VTO4202F-MB5	Five-button module
	DHI-VTO4202F-MS	Display module
	DHI-VTO4202F-ML	Indicator module
	DHI-VTO4202F-MK	Keyboard module
	DHI-VTO4202F-MF	Fingerprint module
	DHI-VTO4202F-MR	Card swiping module
	DHI-VTO4202F-MN	Blank Module
Accessories	VTM125	Two-modular mounting plate
	VTM126	Three-modular mounting plate
	VTM127	Two-modular mounting box
	VTM128	Three-modular mounting box
Rain Cover	VTM02R2	Surface-mounted rain cover for one 2-module VTO4202F
	VTM03R3	Surface-mounted rain cover for one 3-module VTO4202F
	VTM04R4	Surface-mounted rain cover for multiple 2-module VTO4202F
	VTM06R6	Surface-mounted rain cover for multiple 3-module VTO4202F

Dimensions (mm[inch])



Application

